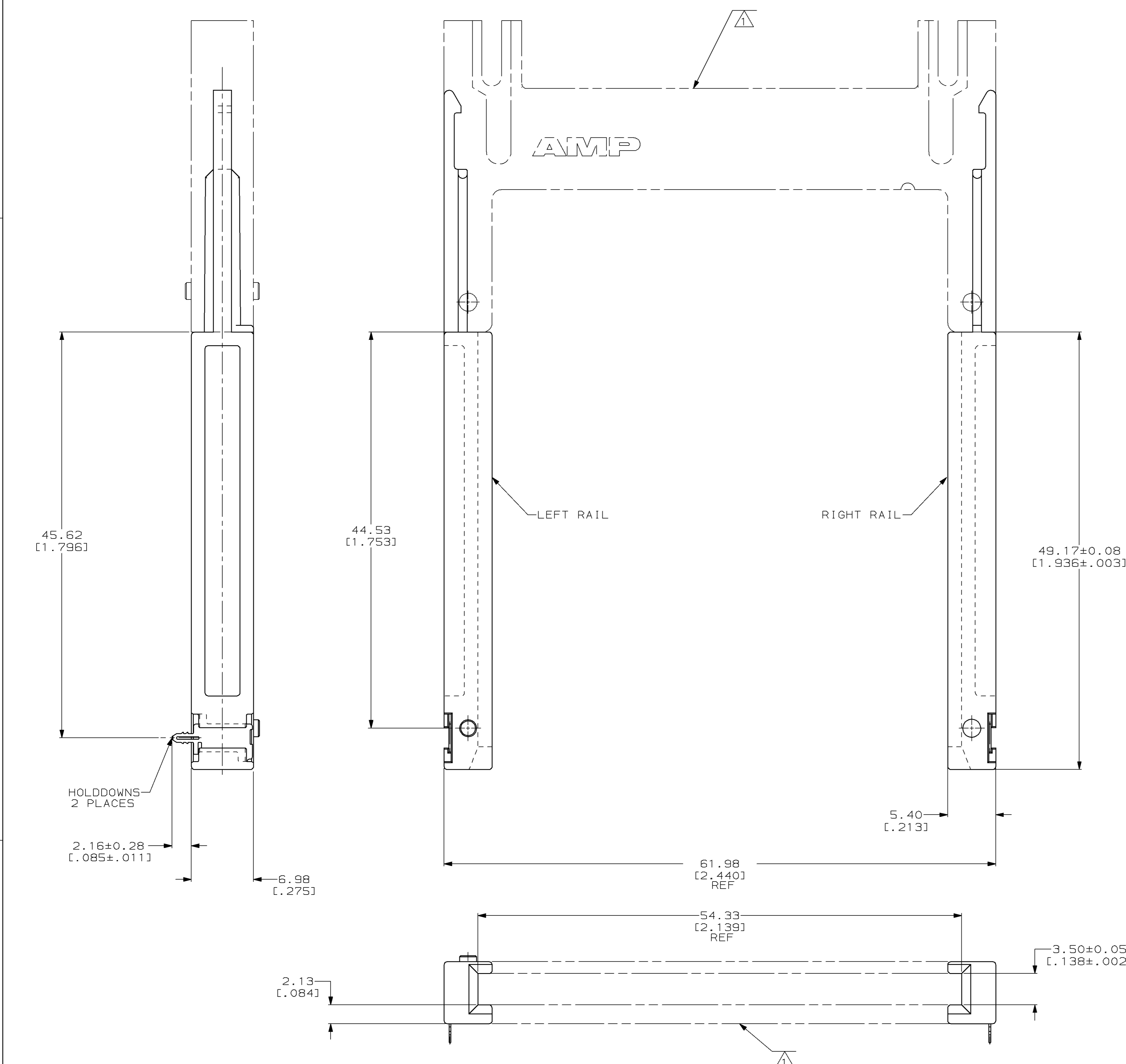
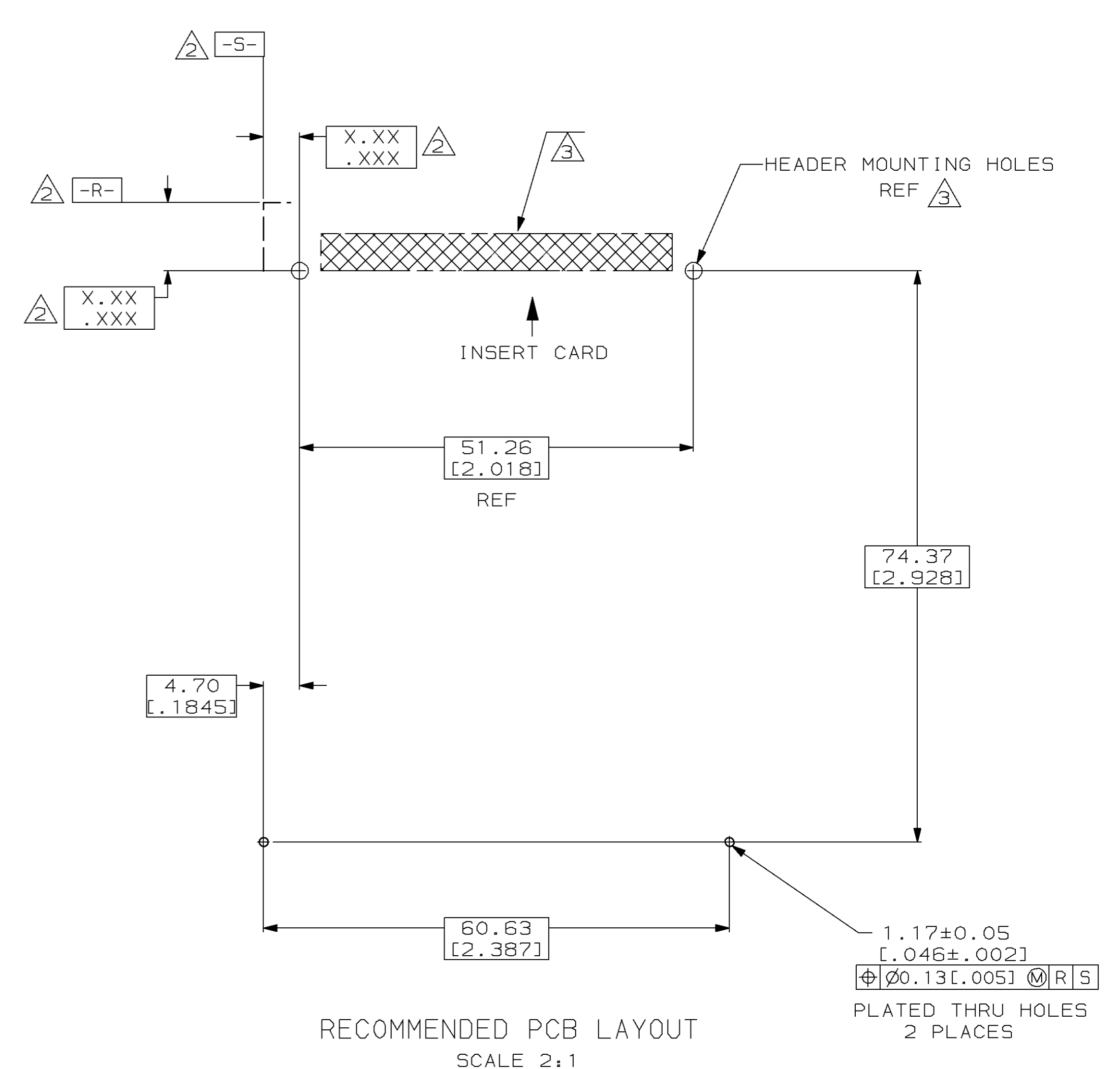


LOC		DIST		ZONE		LTR		REVISIONS			
AD	39	P	F					DESCRIPTION	DATE	APPD	
								0	RELEASED PER PPR	3/8/93	BE



- ⚠ SMT OR THRU-HOLE HEADER ASSY NOT SUPPLIED AND MUST BE ORDERED SEPERATELY. CONTACT AMP INCORPORATED FOR HEADER PART NUMBER
- ⚠ DATUMS AND BASIC DIMENSIONS ESTABLISHED BY CUSTOMER
- ⚠ FOR HEADER PC BOARD LAYOUT SEE APPROPRIATE HEADER ASSEMBLY



RIGHT GUIDE RAIL WITH HOLDDOWN		535664-2	
LEFT GUIDE RAIL WITH HOLDDOWN		535664-1	
DESCRIPTION		PART NO	
DO NOT SCALE PRINT. UNLESS SPECIFIED DIMENSIONS IN mm [INCHES] TOLERANCES ON: 2 PLC DEC ± 0.13 [.005] 3 PLC DEC ± - ANGLES ± -		DR 3/8/93 J MOSER	
MATERIAL RAIL: LCP - COLOR: BLACK HOLD DOWNS: PHOSPHOR BRONZE		CHK 3/8/93 B ELICKER	
FINISH HOLD DOWNS: TIN		APPD 3/8/93 B ELICKER	
		APPD 3/8/93 B FLINCHBAUGH	
		PRODUCT SPEC	
		APPLICATION SPEC	
		WEIGHT 2.1 GRAMS	
NAME GUIDE RAILS, EXTENDED, WITH THRU-HOLE HOLDDOWNS, AMP MEMORY CARD		AMP Incorporated Harrisburg, PA 17105-3608	
SIZE D	CAGE CODE 00779	DRAWING NO C=535664	
SCALE 4:1			SHEET 1 OF 1

THIS DRAWING IS A CONTROLLED DOCUMENT FOR AMP INCORPORATED. IT IS SUBJECT TO CHANGE AND THE CONTROLLING ENGINEERING ORGANIZATION SHOULD BE CONTACTED FOR THE LATEST REVISION.